

4

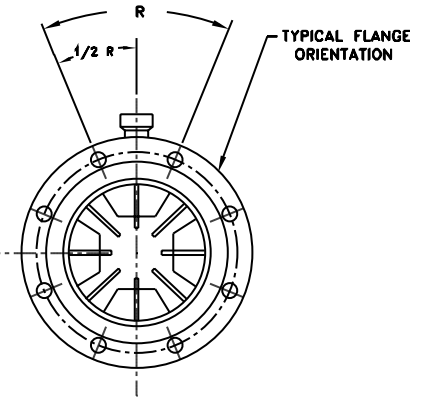
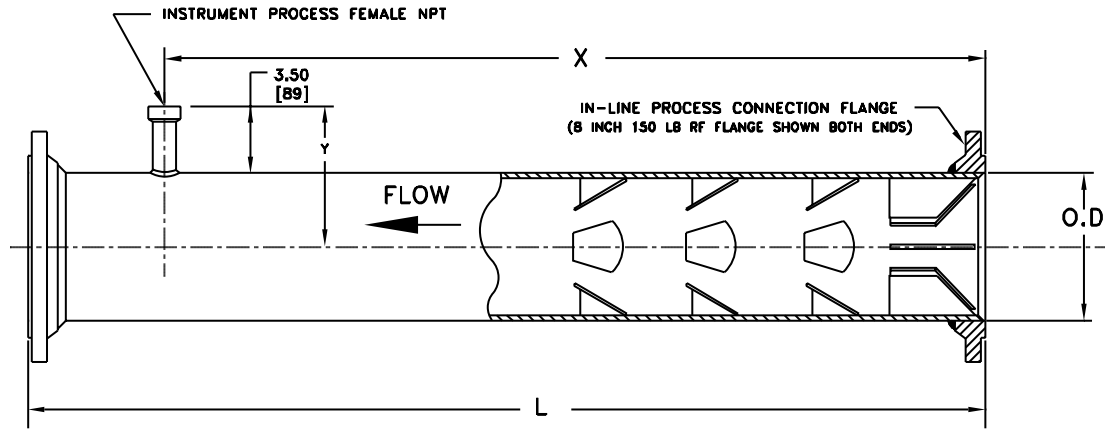
3

2

1

NOTICE OF PROPRIETARY RIGHTS

This document contains confidential technical data, including trade secrets and proprietary information which are the property of Fluid Components Intl (FCI). Disclosure of this data to you is expressly conditioned upon your assent that its use is limited to use within your company only (and does not include manufacture or processing uses). Any other use is strictly prohibited without the prior written consent of FCI.



NOMINAL PIPE SIZE	O.D. PIPE OUTSIDE DIAMETER	L LENGTH	Y HEIGHT TO FLANGE	X LENGTH
2.0 [51]	2.38 [28]	16.0 [406]	4.69 [119]	12.0 [305]
3.0 [76]	3.50 [89]	21.0 [533]	5.25 [133]	18.0 [457]
4.0 [102]	4.50 [114]	28.0 [711]	5.75 [146]	24.0 [609]
6.0 [152]	6.63 [168]	42.0 [1067]	6.81 [173]	36.0 [914]
8.0 [203]	8.63 [219]	56.0 [1422]	7.81 [198]	42.0 [1067]
10.0 [254]	10.75 [273]	70.0 [1778]	8.88 [226]	60.0 [1524]

CUSTOMER: _____
 PURCHASE ORDER NO.: _____
 SHOP ORDER NO.: _____
 SERIAL NO. : _____
 TAG NO.(S): _____
 INSTRUMENT PROCESS FEMALE NPT: _____
 IN-LINE PROCESS CONNECTION FLANGE: _____
 WETTED SURFACE MATERIAL: _____
 NOMINAL LINE SIZE: _____

3. SEE INSTRUMENT MANUAL FOR ADDITIONAL INFORMATION AND INSTRUCTIONS.

2. DIMENSIONS IN BRACKETS [] ARE IN MILLIMETERS.

1. THIS DRAWING IS REFERENCE DOCUMENT ONLY.

NOTES: UNLESS OTHERWISE SPECIFIED

OUTLINE INSTALLATION DRAWING

FCI FLUID COMPONENTS INTL
 a limited liability company
 SAN MARCOS, CA 92069

TITLE
METER RUN FLOW CONDITIONER (MRFC), FLANGED, WITH FNPT PROCESS CONNECTION

DATE CODE 64818	DRG NO. 03MK004321	REV -
--------------------	-----------------------	----------

SCALE NONE	SHEET 1 OF 1
------------	--------------

4

3

2

1